

eHumanities - Data

Project

- Research data from the Digital Humanities

Resources

- lexical information from the Alpine region (=pilot project), with approx 500.000 datasets
- many relations between datasets (hasPart, isPartOf, hasPreviousVersion, hasNextVersion, ...)

Metadata

- rdUB = metadata schema which extends DataCite by new fields:
 - contentUrl
 - metadataUrl
 - checksum
 - ...

eHumanities - Infrastructure

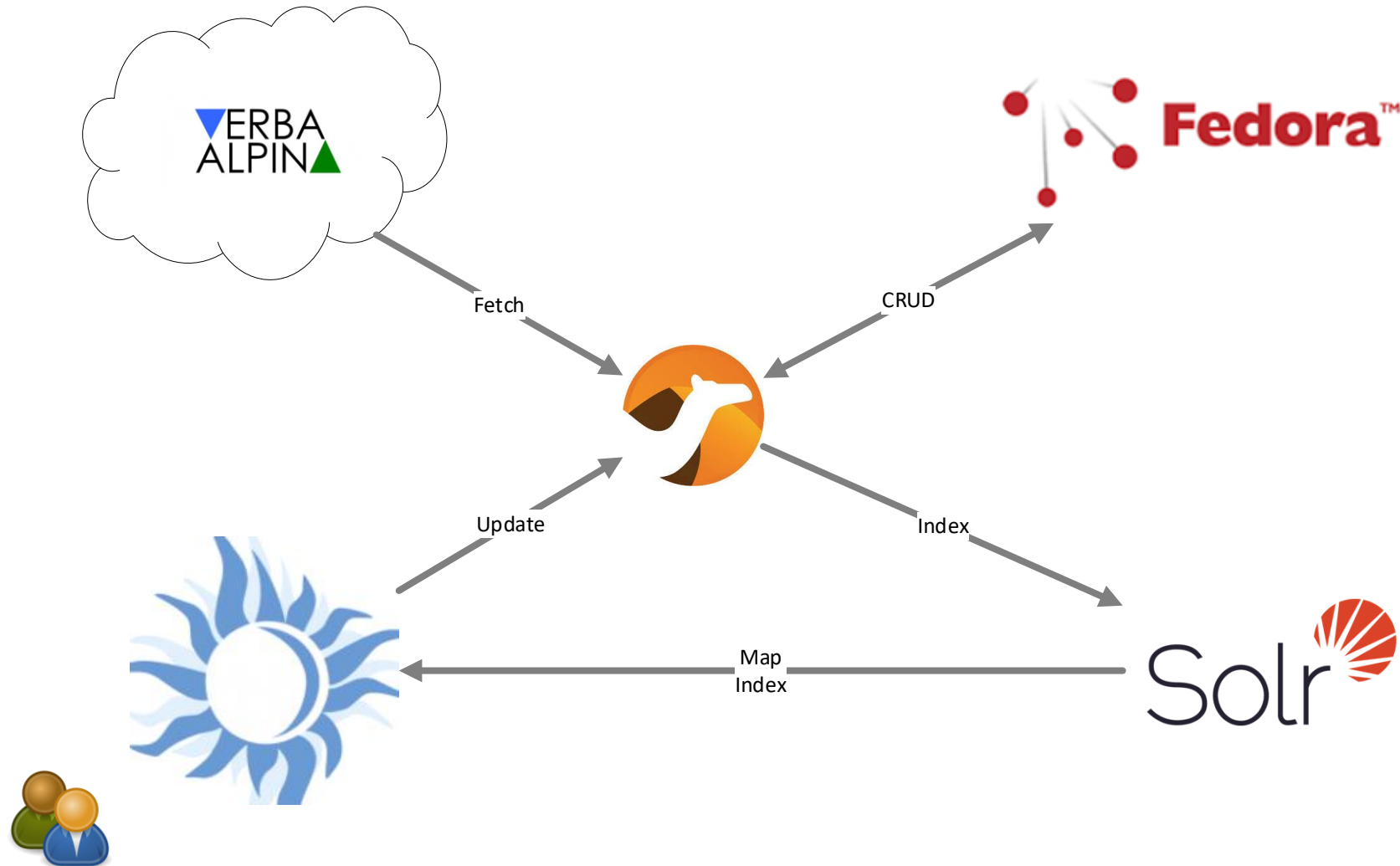
Resources

- Fedora 5.1.1
- Apache Solr 8.1
- Project Blacklight 7.1

Tools and Integration

- Apache Camel 2.24.2
 - Components: XSLT, http4, Solr, CSV, XML, JSON-LD

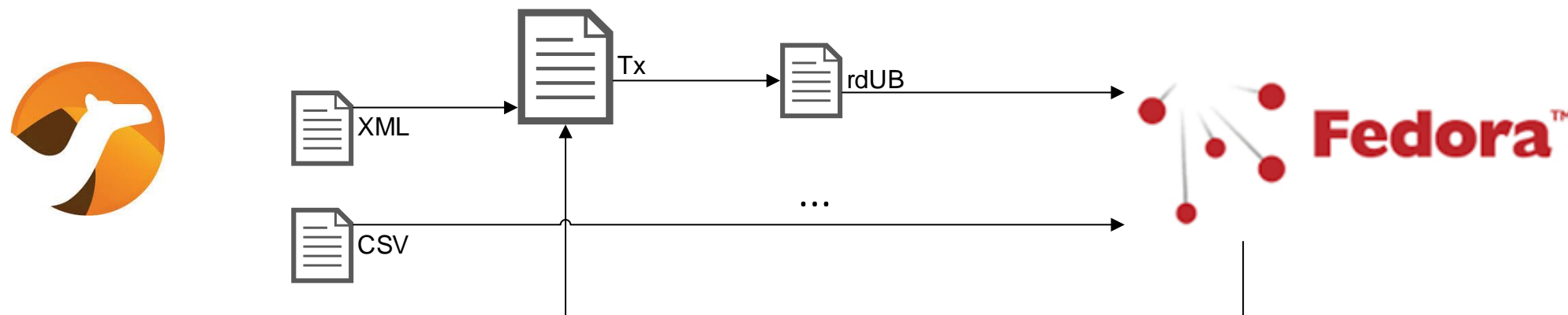
eHumanities - Infrastructure



eHumanities - Infrastructure

Features

- Minted UUID and automated creation/administration of both container/binaries in Fedora
- Extensible: Ingest of new versions of VerbaAlpina binaries possible
- Transformation of files occurs before and after ingest. Heavy processing on Fedora and Camel



eHumanities - discussion

Challenges

- Scalability: limits of Fedora / Solr / Camel during ingest
- Concurrent operations in Fedora: what are the limits for concurrent GET / POST / PUT Requests / Event Message clogging?

Open questions

- Cluster vs Standalone installation (performance-wise)? (are Cluster installations of Fedora still available?) (Best tweaks for Fedora 5?)
- Impact of an eventual migration to Fedora 6 (API, data migration)?

eHumanities

Thank you!

fdm@ub.uni-muenchen.de

jaime.penagos@ub.uni-muenchen.de